

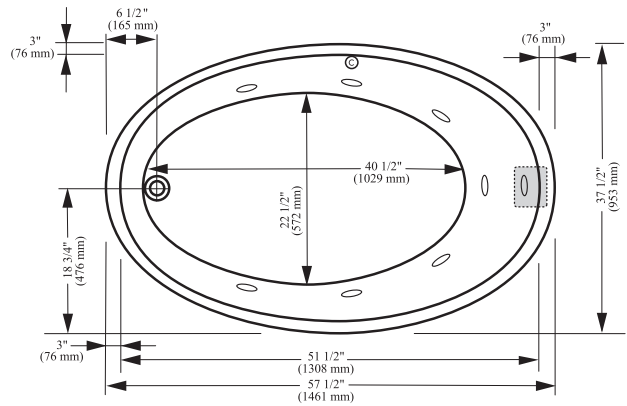
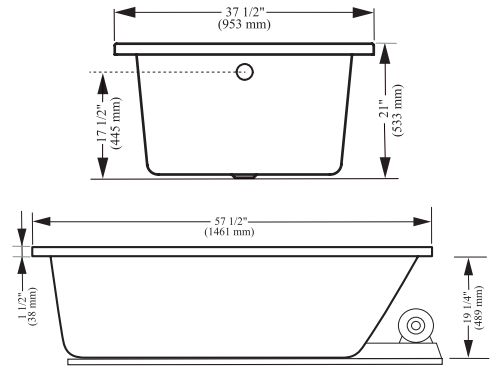
pearl
SERIES



pearl drop-in specifications

Pearl 3858N

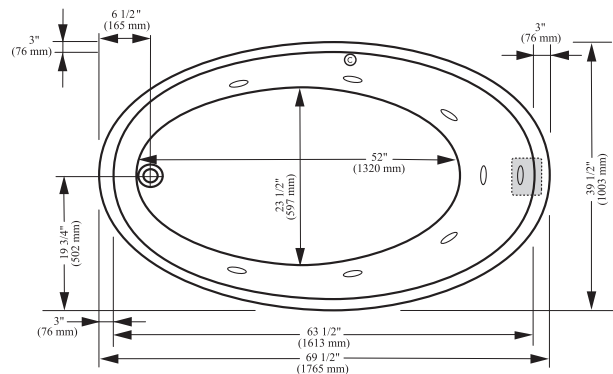
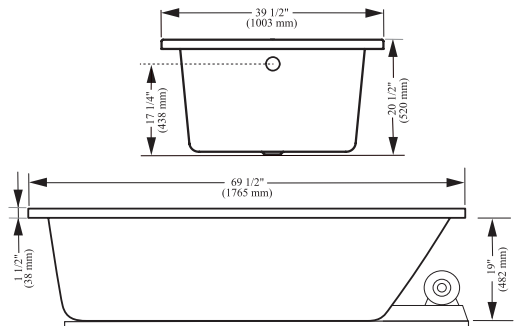
57 1/2" Length overall
37 1/2" Width overall
21" Overall height
Capacity: 40 gallons
Drain Position: End
7 hydro jets, 1 lumbar jet



Suction Location Control Location Pump Location

Pearl 4070N

69 1/2" Length overall
39 1/2" Width overall
20 1/2" Overall height
Capacity: 50 gallons
Drain Position: End
7 hydro jets, and 1 lumbar jet



| | |
|---------------|-----------------------|
| GLT3858NWH | 38X58 DI SOAKER WH |
| GLW3858NCMHWH | 38X58 DI W/P 6 JET WH |
| GLA3858NWH | 38X58 DI AIR TUB WH |
| GLT3858NBS | 38X58 DI SOAKER BS |
| GLW3858NCMHBS | 38X58 DI W/P 6 JET BS |
| GLA3858NBS | 38X58 DI AIR TUB BS |

| | |
|---------------|-----------------------|
| GLT4070NWH | 40X70 DI SOAKER WH |
| GLW4070NCMHWH | 40X70 DI W/P 6 JET WH |
| GLA4070NWH | 40X70 DI AIR TUB WH |
| GLT4070NBS | 40X70 DI SOAKER BS |
| GLW4070NCMHBS | 40X70 DI W/P 6 JET BS |
| GLA4070NBS | 40X70 DI AIR TUB BS |

gemline